

# TOWNEWEST RENOVATION

## TOP VIEW

### ADA ACCESSIBILITY GUIDELINES - ADAAG CONFORMANCE

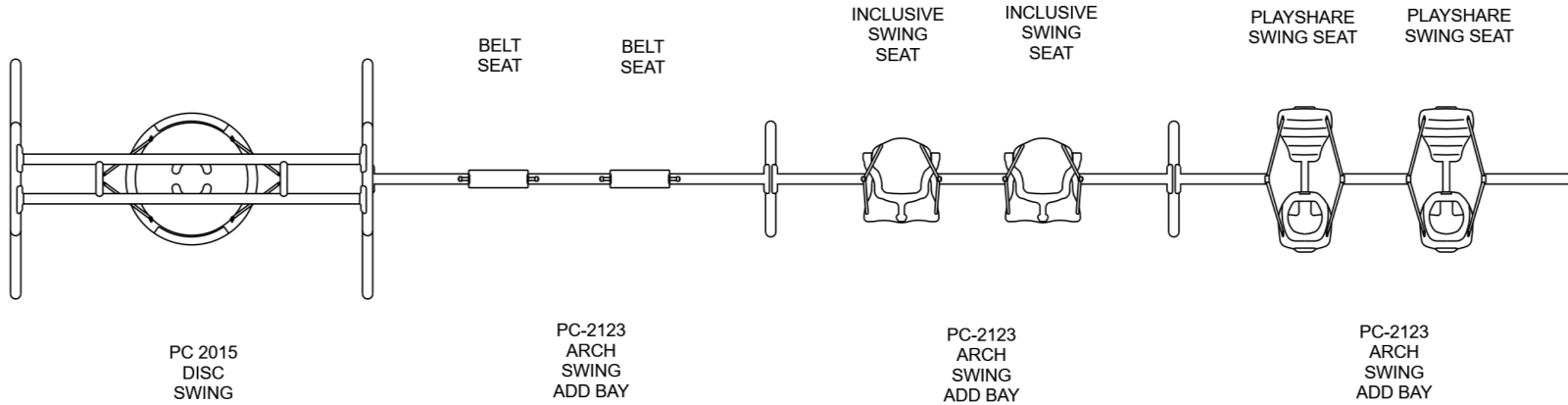
ELEVATED	ACCESSIBLE	RAMP ACCESSIBLE	GROUND	TYPES
0	0/0	0/0	7/0	1/0
CHILD CAPACITY	12	MAX FALL HEIGHT	96	

FOR KIDS  
AGES  
5-12

#### GENERAL NOTES

This conceptual plan is based on information provided prior to construction. Detailed site information, including the following, should be obtained, evaluated, and utilized in the final project design. Exact site dimensions, topography, existing utilities, soil conditions and drainage solutions.

WARNING: Accessible safety surfacing material is required beneath and around this equipment that has a critical height value (Fall Height) appropriate for the highest accessible part of this equipment. Refer to the CPSC'S Handbook For Public Playground Safety, Section 4: Surfacing.



STRUCTURE # SWINGS  
PROJECT # 642526\_1A  
DATE 9/10/2025

The PlayWell Group, Inc.

MIN. USE ZONE 57' x 31' (17.299m x 9.246m)



# TOWNEWEST RENOVATION

## TOP VIEW

### ADA ACCESSIBILITY GUIDELINES - ADAAG CONFORMANCE

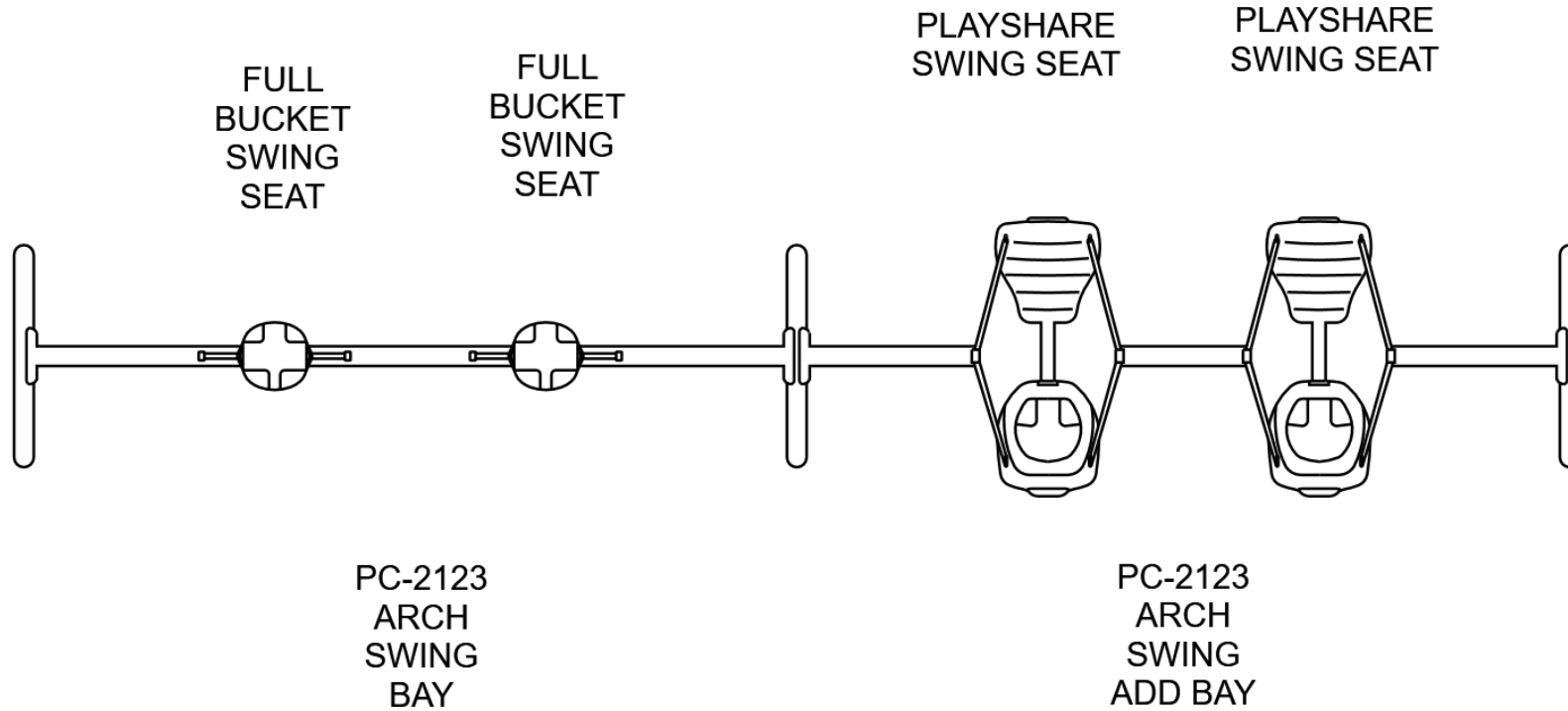
ELEVATED	ACCESSIBLE	RAMP ACCESSIBLE	GROUND	TYPES
0	0/0	0/0	4/0	1/0
CHILD CAPACITY	6	MAX FALL HEIGHT	96	

FOR KIDS  
AGES  
5-12

#### GENERAL NOTES

This conceptual plan is based on information provided prior to construction. Detailed site information, including the following, should be obtained, evaluated, and utilized in the final project design. Exact site dimensions, topography, existing utilities, soil conditions and drainage solutions.

WARNING: Accessible safety surfacing material is required beneath and around this equipment that has a critical height value (Fall Height) appropriate for the highest accessible part of this equipment. Refer to the CPSC'S Handbook For Public Playground Safety, Section 4: Surfacing.



STRUCTURE # SWING  
PROJECT # 642526\_1A  
DATE 9/10/2025

The PlayWell Group, Inc.

MIN. USE ZONE 36' x 31' (10.782m x 9.246m)



# TOWNEWEST RENOVATION

## TOP VIEW

### ADA ACCESSIBILITY GUIDELINES - ADAAG CONFORMANCE

ELEVATED	ACCESSIBLE	RAMP ACCESSIBLE	GROUND	TYPES
6	8/3	0/0	9/2	8/2
CHILD CAPACITY 96		MAX FALL HEIGHT 72		

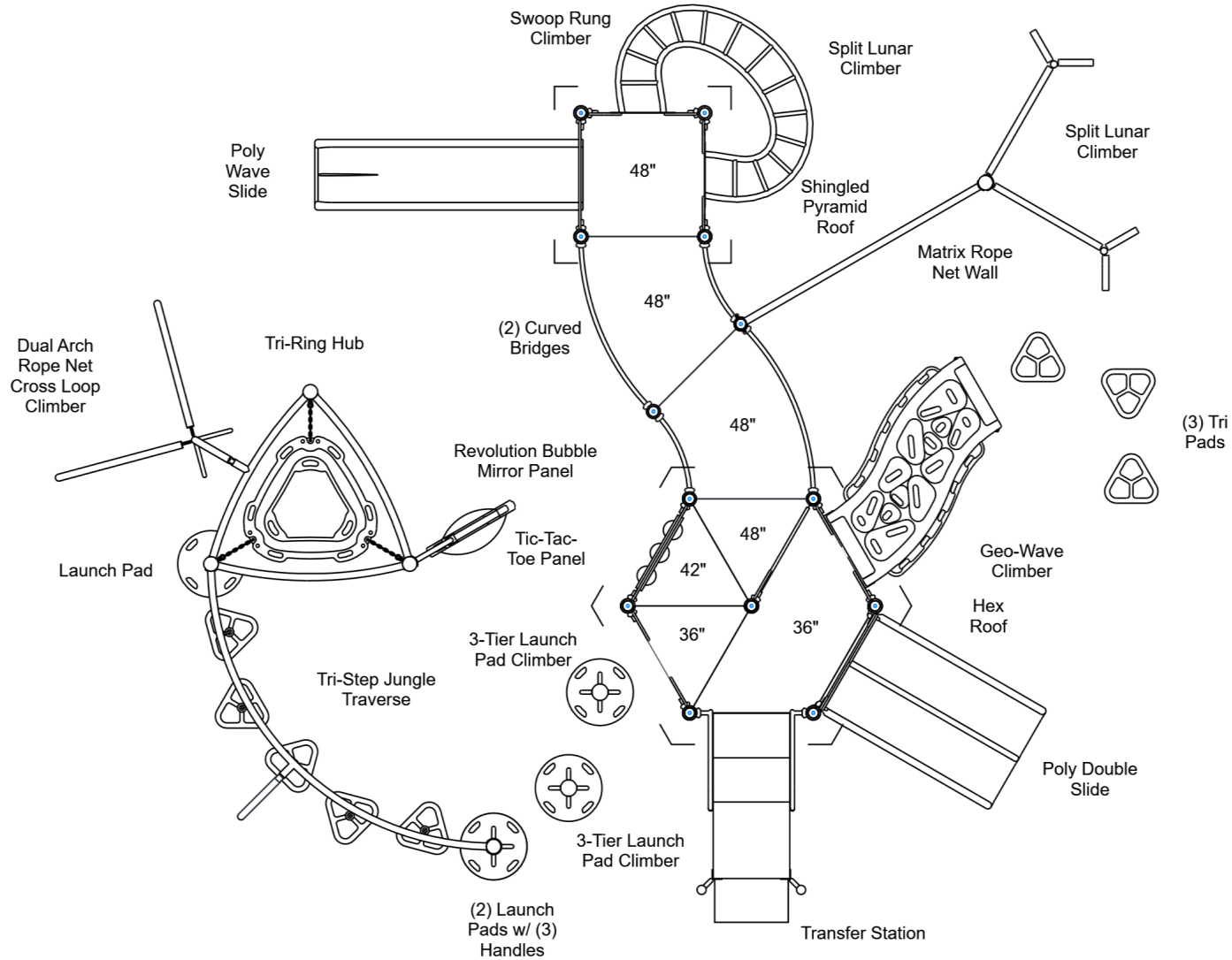
RH3

FOR KIDS  
AGES  
2-5

#### GENERAL NOTES

This conceptual plan is based on information provided prior to construction. Detailed site information, including the following, should be obtained, evaluated, and utilized in the final project design. Exact site dimensions, topography, existing utilities, soil conditions and drainage solutions.

**WARNING:** Accessible safety surfacing material is required beneath and around this equipment that has a critical height value (Fall Height) appropriate for the highest accessible part of this equipment. Refer to the CPSC'S Handbook For Public Playground Safety, Section 4: Surfacing.



STRUCTURE # 2\_5  
PROJECT # 642526\_1A  
DATE 9/10/2025

The PlayWell Group, Inc.

MIN. USE ZONE 44' x 38' (13.172m x 11.576m)



# TOWNEWEST RENOVATION

## TOP VIEW

### ADA ACCESSIBILITY GUIDELINES - ADAAG CONFORMANCE

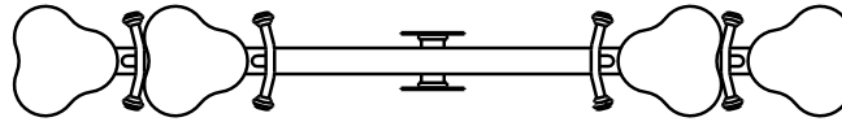
ELEVATED	ACCESSIBLE	RAMP ACCESSIBLE	GROUND	TYPES
0	0/0	0/0	1/0	1/0
CHILD CAPACITY	4	MAX FALL HEIGHT	36	

FOR KIDS  
AGES  
2-5

#### GENERAL NOTES

This conceptual plan is based on information provided prior to construction. Detailed site information, including the following, should be obtained, evaluated, and utilized in the final project design. Exact site dimensions, topography, existing utilities, soil conditions and drainage solutions.

WARNING: Accessible safety surfacing material is required beneath and around this equipment that has a critical height value (Fall Height) appropriate for the highest accessible part of this equipment. Refer to the CPSC'S Handbook For Public Playground Safety, Section 4: Surfacing.



PC 1922 4-  
SEAT  
TYKE  
SEESAW

STRUCTURE # PC1922  
PROJECT # 642526\_1A  
DATE 9/10/2025

The PlayWell Group, Inc.

MIN. USE ZONE 23' x 14' (6.929m x 4.086m)



# TOWNEWEST RENOVATION

## TOP VIEW

### ADA ACCESSIBILITY GUIDELINES - ADAAG CONFORMANCE

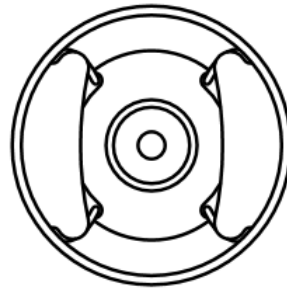
ELEVATED	ACCESSIBLE	RAMP ACCESSIBLE	GROUND	TYPES
0	0/0	0/0	1/0	1/0
CHILD CAPACITY	2	MAX FALL HEIGHT	30	

FOR KIDS  
AGES  
2-5

#### GENERAL NOTES

This conceptual plan is based on information provided prior to construction. Detailed site information, including the following, should be obtained, evaluated, and utilized in the final project design. Exact site dimensions, topography, existing utilities, soil conditions and drainage solutions.

WARNING: Accessible safety surfacing material is required beneath and around this equipment that has a critical height value (Fall Height) appropriate for the highest accessible part of this equipment. Refer to the CPSC'S Handbook For Public Playground Safety, Section 4: Surfacing.



PC 2479 MINI-GO-  
ROUND

STRUCTURE # PC2479  
PROJECT # 642526\_1A  
DATE 9/10/2025

The PlayWell Group, Inc.

MIN. USE ZONE 16' x 16' (4.666m x 4.666m)



# TOWNEWEST RENOVATION

## TOP VIEW

### ADA ACCESSIBILITY GUIDELINES - ADAAG CONFORMANCE

ELEVATED	ACCESSIBLE	RAMP ACCESSIBLE	GROUND	TYPES
14	7/7	0/0	6/5	3/3
<b>CHILD CAPACITY</b>	162	<b>MAX FALL HEIGHT</b>	96	

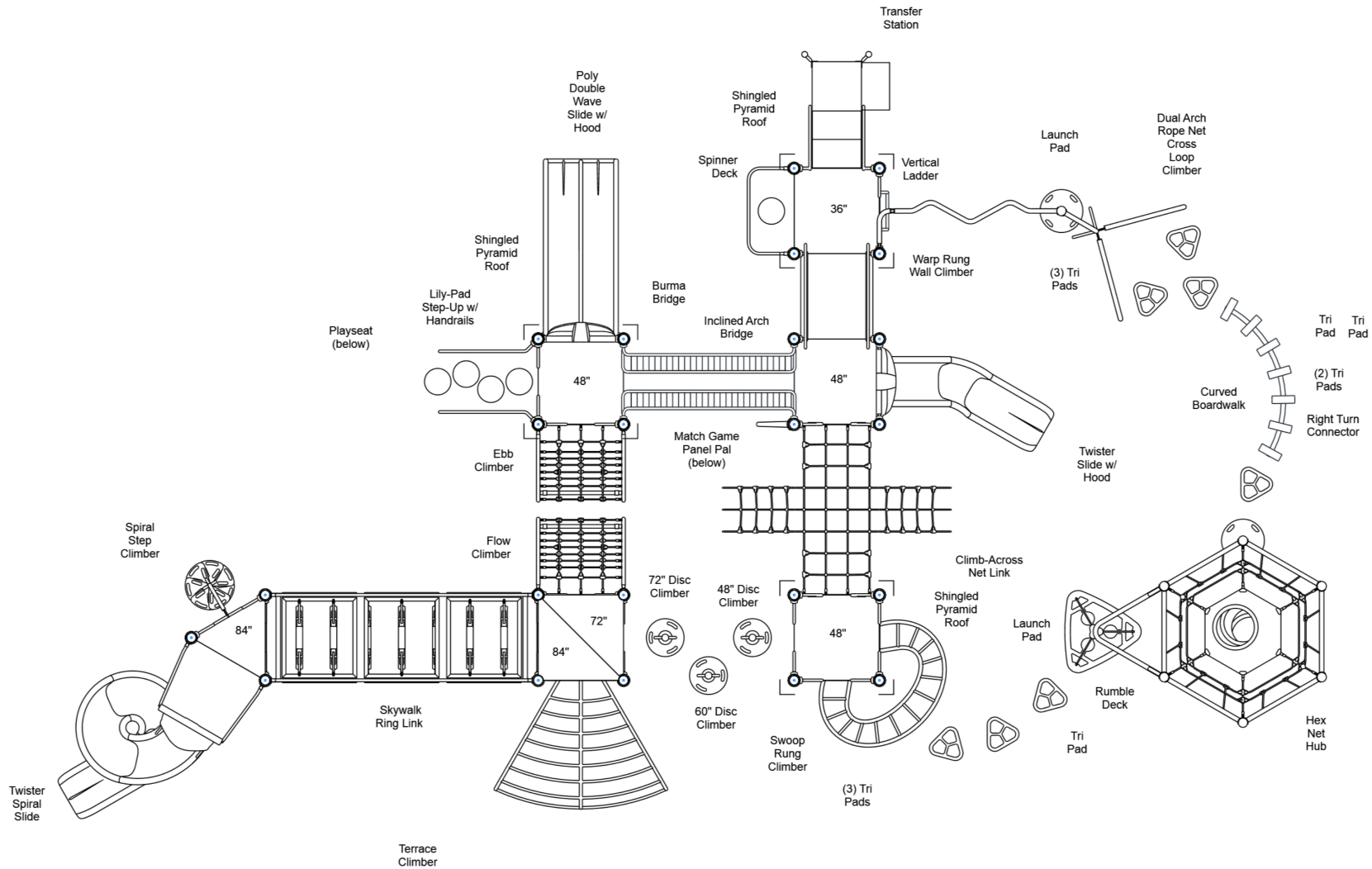
RH5

**FOR KIDS**  
**AGES**  
**5-12**

#### GENERAL NOTES

This conceptual plan is based on information provided prior to construction. Detailed site information, including the following, should be obtained, evaluated, and utilized in the final project design. Exact site dimensions, topography, existing utilities, soil conditions and drainage solutions.

**WARNING:** Accessible safety surfacing material is required beneath and around this equipment that has a critical height value (Fall Height) appropriate for the highest accessible part of this equipment. Refer to the CPSC'S Handbook For Public Playground Safety, Section 4: Surfacing.



**STRUCTURE #** 5\_12  
**PROJECT #** 642526\_1A  
**DATE** 9/10/2025

**The PlayWell Group, Inc.**  
**MIN. USE ZONE** 69' x 46' (20.916m x 13.935m)



# TOWNEWEST RENOVATION

## TOP VIEW

### ADA ACCESSIBILITY GUIDELINES - ADAAG CONFORMANCE

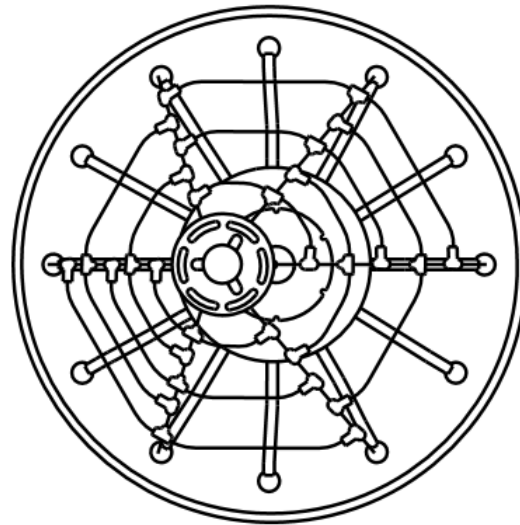
ELEVATED	ACCESSIBLE	RAMP ACCESSIBLE	GROUND	TYPES
0	0/0	0/0	1/0	1/0
CHILD CAPACITY	8	MAX FALL HEIGHT	96	

FOR KIDS  
AGES  
5-12

#### GENERAL NOTES

This conceptual plan is based on information provided prior to construction. Detailed site information, including the following, should be obtained, evaluated, and utilized in the final project design. Exact site dimensions, topography, existing utilities, soil conditions and drainage solutions.

WARNING: Accessible safety surfacing material is required beneath and around this equipment that has a critical height value (Fall Height) appropriate for the highest accessible part of this equipment. Refer to the CPSC'S Handbook For Public Playground Safety, Section 4: Surfacing.



PC 2476  
SPIN  
MAX  
TOWER

STRUCTURE # PC2476  
PROJECT # 642526\_1A  
DATE 9/10/2025

The PlayWell Group, Inc.

MIN. USE ZONE 19' x 19' (5.517m x 5.524m)



# TOWNEWEST RENOVATION

## SITE PLAN

### ADA ACCESSIBILITY GUIDELINES - ADAAG CONFORMANCE

ELEVATED	ACCESSIBLE	RAMP ACCESSIBLE	GROUND	TYPES
20	15/5	0/5	29/7	16/4

Mixed  
Types

FOR KIDS  
AGES  
[Mixed]



#### GENERAL NOTES

This Preliminary Site Plan is based on measurements that were provided in the initial planning phase. All dimensions must be verified prior to the submission of a purchase order. Playcraft Systems will not be held responsible for any discrepancies between actual dimensions and dimensions submitted in the planning phase.

The Minimum Use Zone for a play structure is based on the product design at the time of proposal. Components and structure designs may be subject to change which may affect dimensions. Therefore, before preparing the site, we strongly recommend obtaining final drawings from the factory (available after the order is placed and included in the Assembly Manual).

**WARNING:** Accessible safety surfacing material is required beneath and around this equipment that has a critical height value (Fall Height) appropriate for the highest accessible part of this equipment. Refer to the CPSC'S Handbook For Public Playground Safety, Section 4: Surfacing.

PROJECT # 642526\_1A  
DATE 9/10/2025

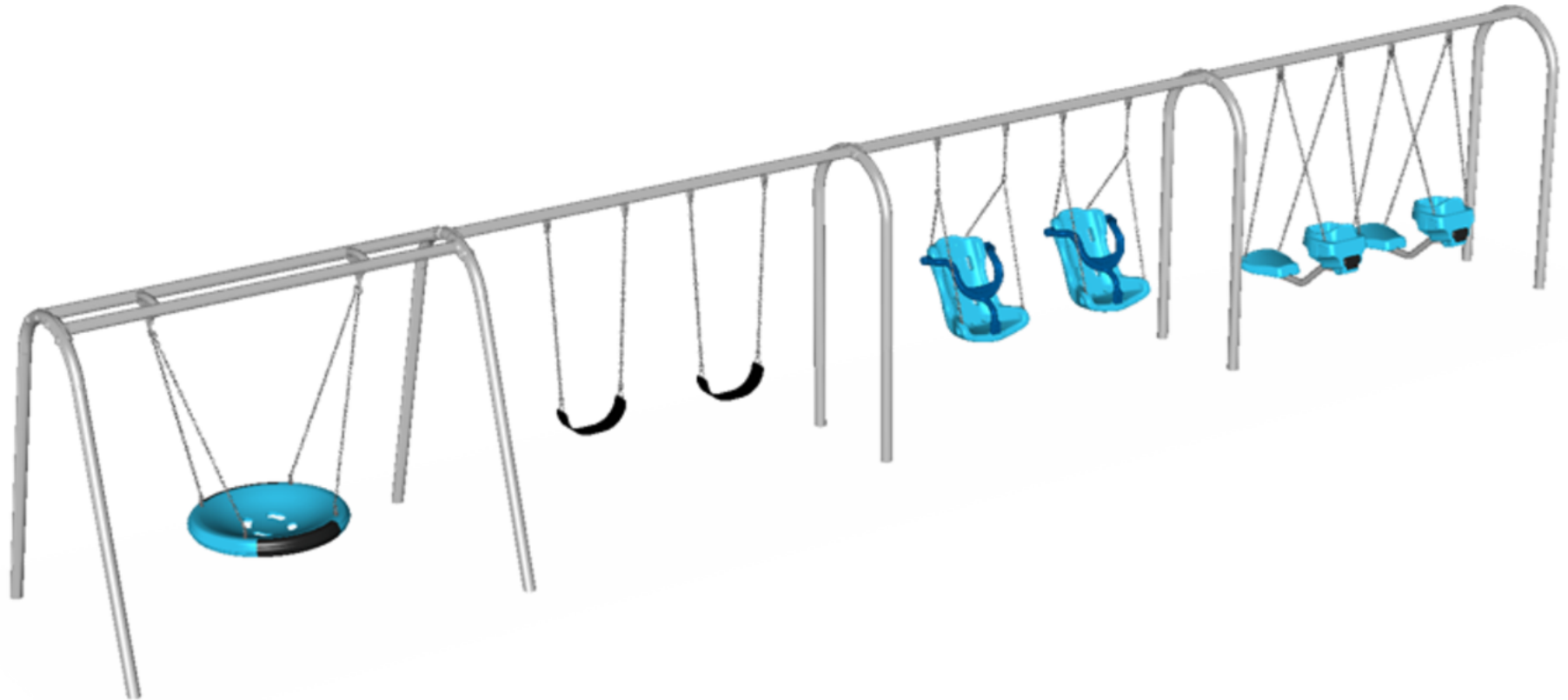
**The PlayWell Group, Inc.**

MIN. USE ZONE 129' x 163' (39.296m x 49.49m)



**TOWNEWEST RENOVATION**  
**SW VIEW**

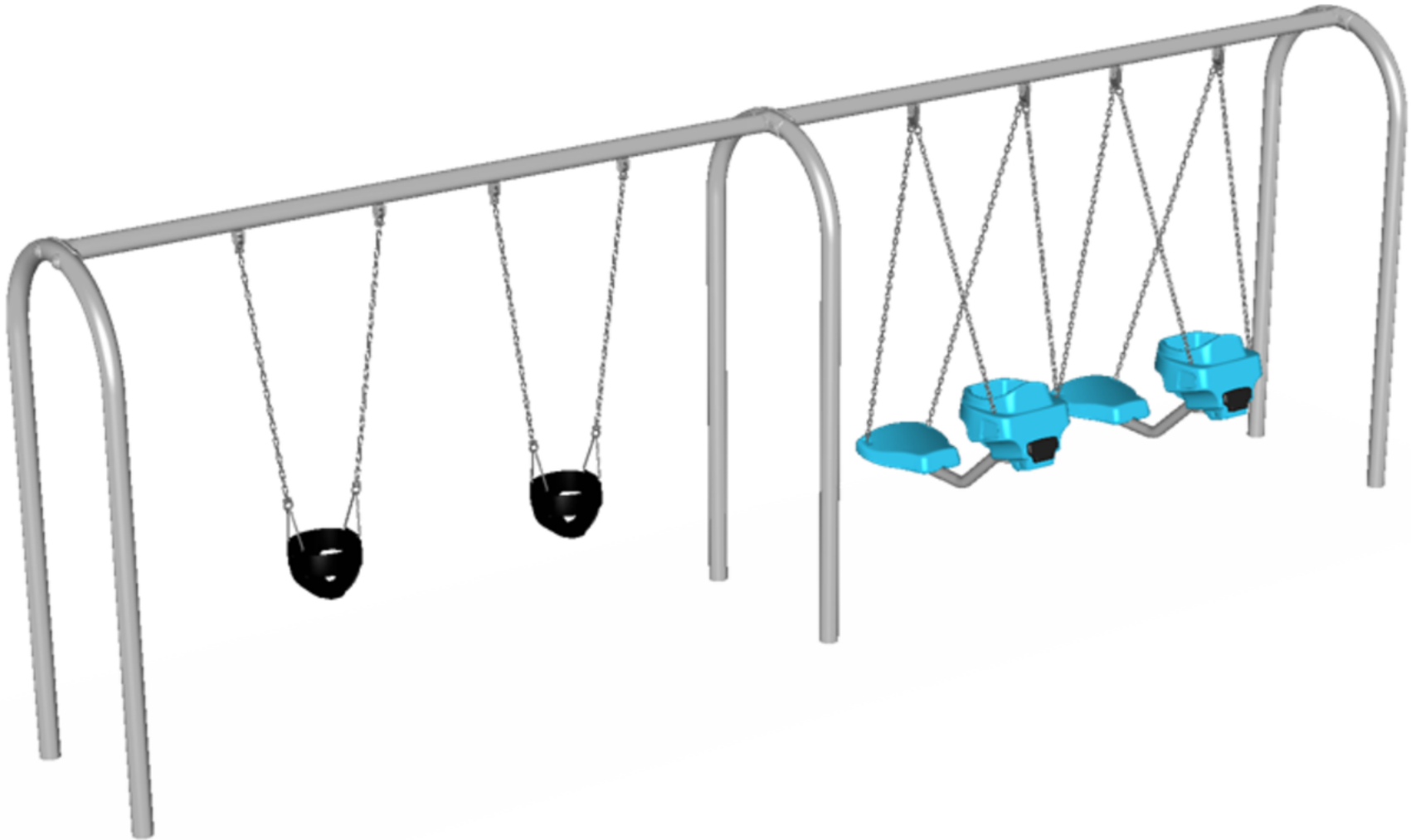
FOR KIDS  
AGES  
5-12



**STRUCTURE #** SWINGS  
**PROJECT #** 642526\_1A  
**DATE** 9/10/2025

**TOWNEWEST RENOVATION**  
**SW VIEW**

FOR KIDS  
AGES  
5-12



**STRUCTURE #** SWING  
**PROJECT #** 642526\_1A  
**DATE** 9/10/2025



**TOWNEWEST RENOVATION**  
**SW VIEW**

**RH3**

FOR KIDS  
AGES  
2-5



**STRUCTURE #** 2\_5  
**PROJECT #** 642526\_1A  
**DATE** 9/10/2025

**TOWNEWEST RENOVATION**  
**NE VIEW**

**RH3**

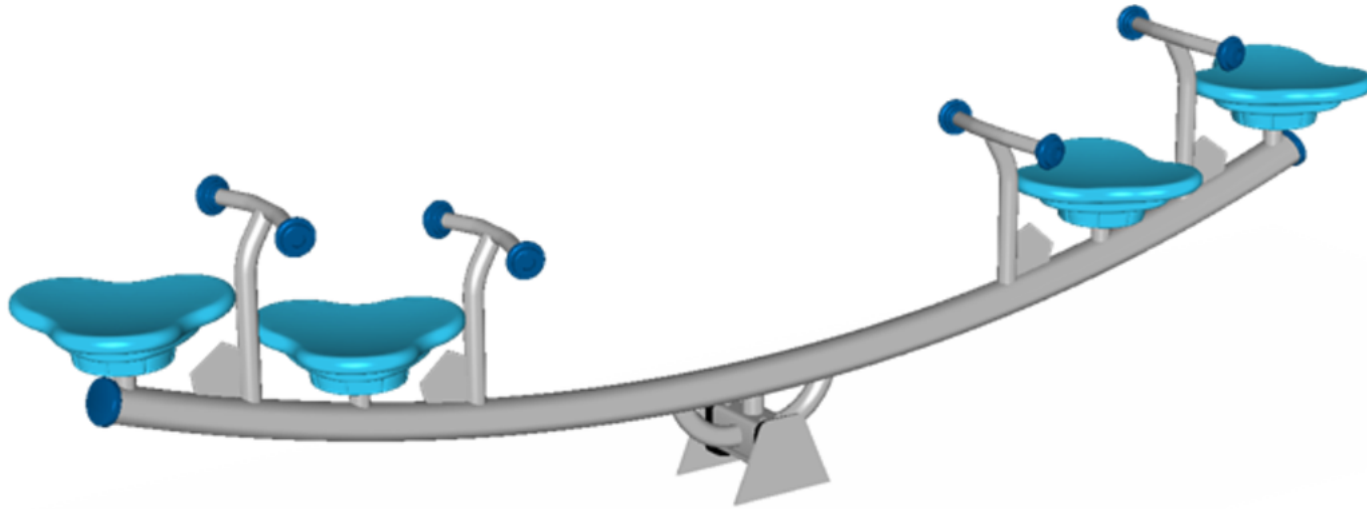
FOR KIDS  
AGES  
2-5



**STRUCTURE #** 2\_5  
**PROJECT #** 642526\_1A  
**DATE** 9/10/2025

**TOWNEWEST RENOVATION**  
**SW VIEW**

FOR KIDS  
AGES  
2-5



**STRUCTURE #** PC1922  
**PROJECT #** 642526\_1A  
**DATE** 9/10/2025

**TOWNEWEST RENOVATION**  
**SW VIEW**

FOR KIDS  
AGES  
2-5



**STRUCTURE #** PC2479  
**PROJECT #** 642526\_1A  
**DATE** 9/10/2025

**TOWNEWEST RENOVATION**  
**SW VIEW**

**RH5**

FOR KIDS  
AGES  
5-12



**STRUCTURE #** 5\_12  
**PROJECT #** 642526\_1A  
**DATE** 9/10/2025

# TOWNEWEST RENOVATION

## NE VIEW

RH5

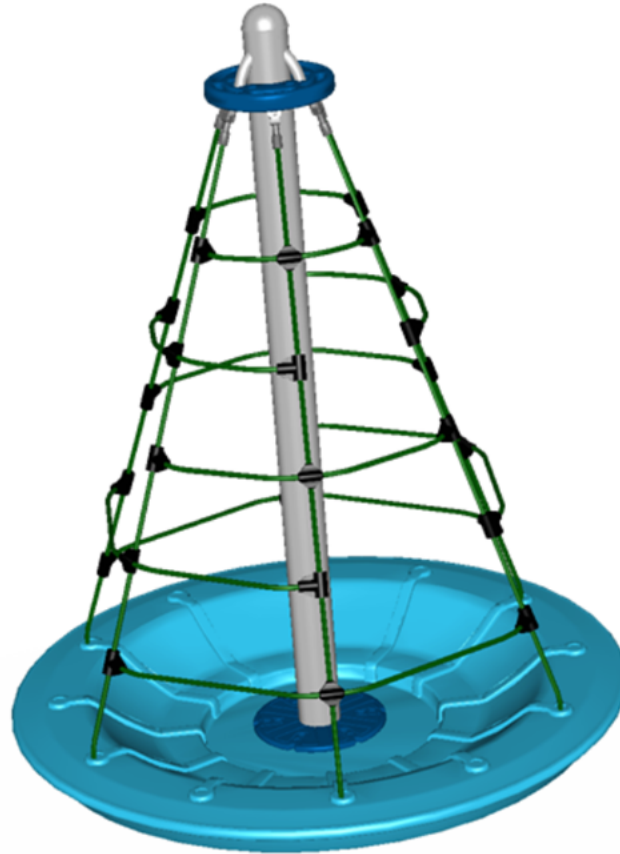
FOR KIDS  
AGES  
5-12



STRUCTURE # 5\_12  
PROJECT # 642526\_1A  
DATE 9/10/2025

**TOWNEWEST RENOVATION**  
**SW VIEW**

FOR KIDS  
AGES  
5-12



**STRUCTURE #** PC2476  
**PROJECT #** 642526\_1A  
**DATE** 9/10/2025

**TOWNEWEST RENOVATION**

**Project #** 642526\_1A

**Date** 9/10/2025

<b>Item / Part Number</b>	<b>Description</b>	<b>Qty</b>
<b>[SWINGS]</b>		
A2-131410	Inclusive Seat	2
A2-131510	Playshare Seat	2
A2-2015	PC 2015 Disc Swing	1
A2-2123-AB	PC 2123-8ft Arch Swing Bay (2 Seat) AB	3
A2-313010	Belt Seat	2
<b>[SWING]</b>		
A2-131510	Playshare Seat	2
A2-2123	PC 2123-8ft Arch Swing Bay (2 Seat)	1
A2-2123-AB	PC 2123-8ft Arch Swing Bay (2 Seat) AB	1
A2-311010	Full Bucket Seat	2
<b>[2_5]</b>		
HS-1004-R35	Collars	38
GG-8135	Dome Cap, R3.5	3
S-10108-RV5	Post (108in) RV5	1
S-1011-R35-11ft	Post, 11ft R3.5	3
S-10120-RV5	Post (120in) RV5	1
S-10126-RV5	Post (126in) RV5	1
S-10132-RV5	Post (132in) RV5	4
S-1013-R35-13ft	Post, 13ft R3.5	10
S-1101-R35	Square Deck	1
S-1102-R35	Tri-Deck	3
S-1103-R35	Hex Deck, Half (5 Post)	1
S-1110-R	Filler, Universal (12in)	1
S-1209-24-R35	Transfer Station, 36in-C	1
S-1249-DGH	Climber, Inc. Geo-Wave 30-36in (H, DTG, L)	1
S-12592-RV	Climber, Split Lunar	2
S-1280-4R35	Climber, Swoop Rung 42-48in	1
S-1283-RH35	Climber, Matrix Rope Net Wall (RH35)	1
S-1288-CRS-RV5	Climber, Dual Arch Rope Net Cross Loop(HSE)	1
S-1304-R35	Single Slide SitDown Wall	1
S-1307-RV	Handle RV	4
S-1309-2-R35	Half Walls (Pair) R35	2
S-1309-R35-L	Half Walls (Single, Left)	1
S-1437-RV	Tri-Step Jungle	1
S-1511-R35	Bridge, Curved	2
S-1603-RV	Bubble Mirror Panel	1

**TOWNEWEST RENOVATION**

<b>Item / Part Number</b>	<b>Description</b>	<b>Qty</b>
S-1616-R35	Tic-Tac-Toe Panel	1
S-1702-3R35	Slide, Double 36in	1
S-1704-4	Slide, Wave 48in (Single)	1
S-1803-R35	Roof, Hex	1
S-1807-R35	Roof, Square Pyramid (Shingled)	1
S-1959-2RV-1	Tri-Ring Hub (2 Section, 1 Mount)	1
S-1961-RV	Tri Pad Seat	3
S-21011-MNT	Support, Beam (Middle)	1
S-21263-2-RV	Climber, Launch Pad (2-Tier)	1
S-21263-3-RV	Climber, Launch Pad (3-Tier)	1
S-21263-RV	Launch Pad RV	3
<b>PC1922</b>		
A2-1922	PC 1922 Tyke Seesaw (4-Seat)	1
<b>PC2479</b>		
A2-2479	PC 2479 Mini-Go-Round	1
<b>5_12</b>		
HS-1004-R	Collars	74
A2-2430	Boardwalk, Curved (90 Degree)	1
GF-7002	Dome Cap, R5	11
S-1011-R5-11ft	Post, 11ft R5	4
S-10132-RV5	Post (132in) RV5	1
S-1013-R5-13ft	Post, 13ft R5	5
S-1014-R5-14ft	Post, 14ft R5	10
S-1017-R5-17ft	Post, 17ft R5	4
S-10192-RV5	Post (192in) RV5	6
S-1101-R5	Square Deck	4
S-1102-R5	Tri-Deck	1
S-1105-R5	Half Deck	2
S-1109-LRG-R5-SPN	Spinner Deck	1
S-1111-R	Filler, Long - 12in, R5	1
S-1209-24-R5	Transfer Station, 36in-L	1
S-1210-36	Climber, Vertical Ladder 30-36in	1
S-1233-4-HW	Climber, Disc 42-48in (w/ HW)	1
S-1233-5-MC	Climber, Disc 54-60in	1
S-1233-6-HW	Climber, Disc 66-72in (w/ HW)	1
S-1234-7R	Climber, Spiral Step 78-84in	1
S-1240-6	Climber, Terrace 66-72in	1
S-1261-R5E	Climber, Ebb	1
S-1261-R5F	Climber, Flow	1
S-1280-4R5	Climber, Swoop Rung 42-48in	1

**TOWNEWEST RENOVATION**

<b>Item / Part Number</b>	<b>Description</b>	<b>Qty</b>
S-1288-RV	Climber, Dual Arch Rope Net Cross Loop	1
S-1303-TW-R5	Twister Entry Panel w/ Hood	1
S-1306-R5	Double Slide SitDown Hood	1
S-1309-2-R5	Half Walls (Pair) R5	8
S-1310-R5	Transition Wall	1
S-1414-4-HH-R5	Climber, Step-Up 48in (Lily-Pad, Hand Rails)	1
S-1509-90R5	Bridge, Burma (90in)	1
S-1514-45R5	Bridge, Inclined Arch (45in)	1
S-1526-R5	Link, Climb-Across Net (90in)	1
S-1531-R5-RL	Link, Skywalk Ring (144)	1
S-1668-R5	Panel Pal, Match Game	1
S-1702-4R5	Slide, Wave 48in (Double)	1
S-1706-S7R-R5	Slide, Twister Spiral 84in (R)	1
S-1710-4-R	Slide, Twister 48in (R)	1
S-1807-R5	Roof, Square Pyramid (Shingled)	3
S-1925-RV	Hex Net Hub	1
S-1961-RV	Tri Pad	7
S-1962-R5	Playseat	1
S-1968-1RV	Climber, Warp Rung Wall (1HSE)	1
S-1971-RV	Rumble Deck	1
S-21004-RTRH5	Connector (Right Turn)	1
S-21263-RV	Launch Pad RV	2
<b>PC2476</b>		
A2-2476	PC 2476 Spin Max, Tower	1