

TOWNEWEST RENOVATION

TOP VIEW

ADA ACCESSIBILITY GUIDELINES - ADAAG CONFORMANCE

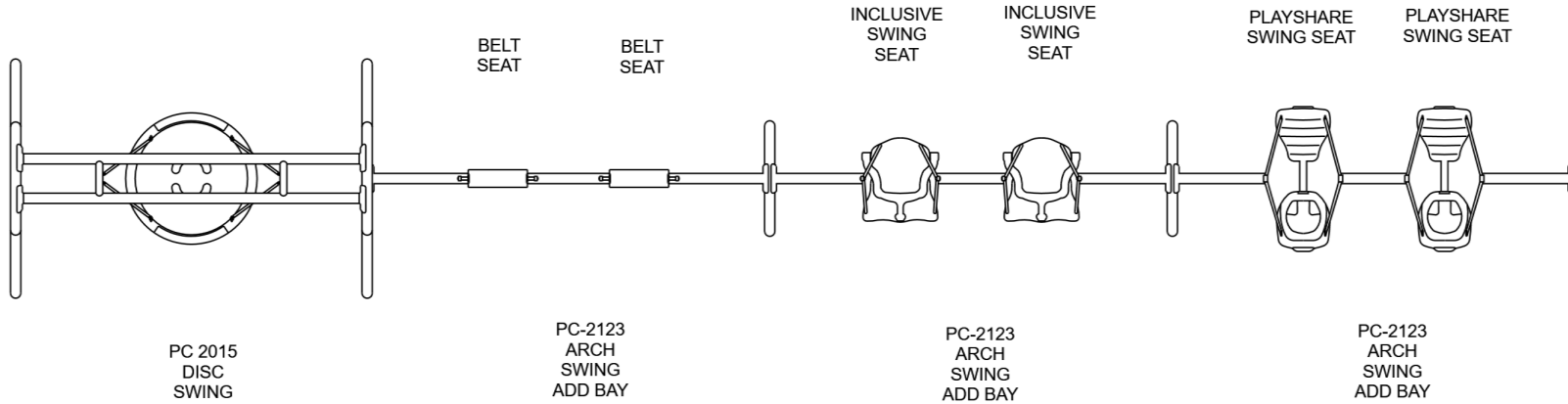
ELEVATED	ACCESSIBLE	RAMP ACCESSIBLE	GROUND	TYPES
0	0/0	0/0	7/0	1/0
CHILD CAPACITY	12	MAX FALL HEIGHT	96	

FOR KIDS
AGES
5-12

GENERAL NOTES

This conceptual plan is based on information provided prior to construction. Detailed site information, including the following, should be obtained, evaluated, and utilized in the final project design. Exact site dimensions, topography, existing utilities, soil conditions and drainage solutions.

WARNING: Accessible safety surfacing material is required beneath and around this equipment that has a critical height value (Fall Height) appropriate for the highest accessible part of this equipment. Refer to the CPSC'S Handbook For Public Playground Safety, Section 4: Surfacing.



STRUCTURE # SWINGS
PROJECT # 642526_3A
DATE 9/22/2025

The PlayWell Group, Inc.

MIN. USE ZONE 57' x 31' (17.299m x 9.246m)



TOWNEWEST RENOVATION

TOP VIEW

ADA ACCESSIBILITY GUIDELINES - ADAAG CONFORMANCE

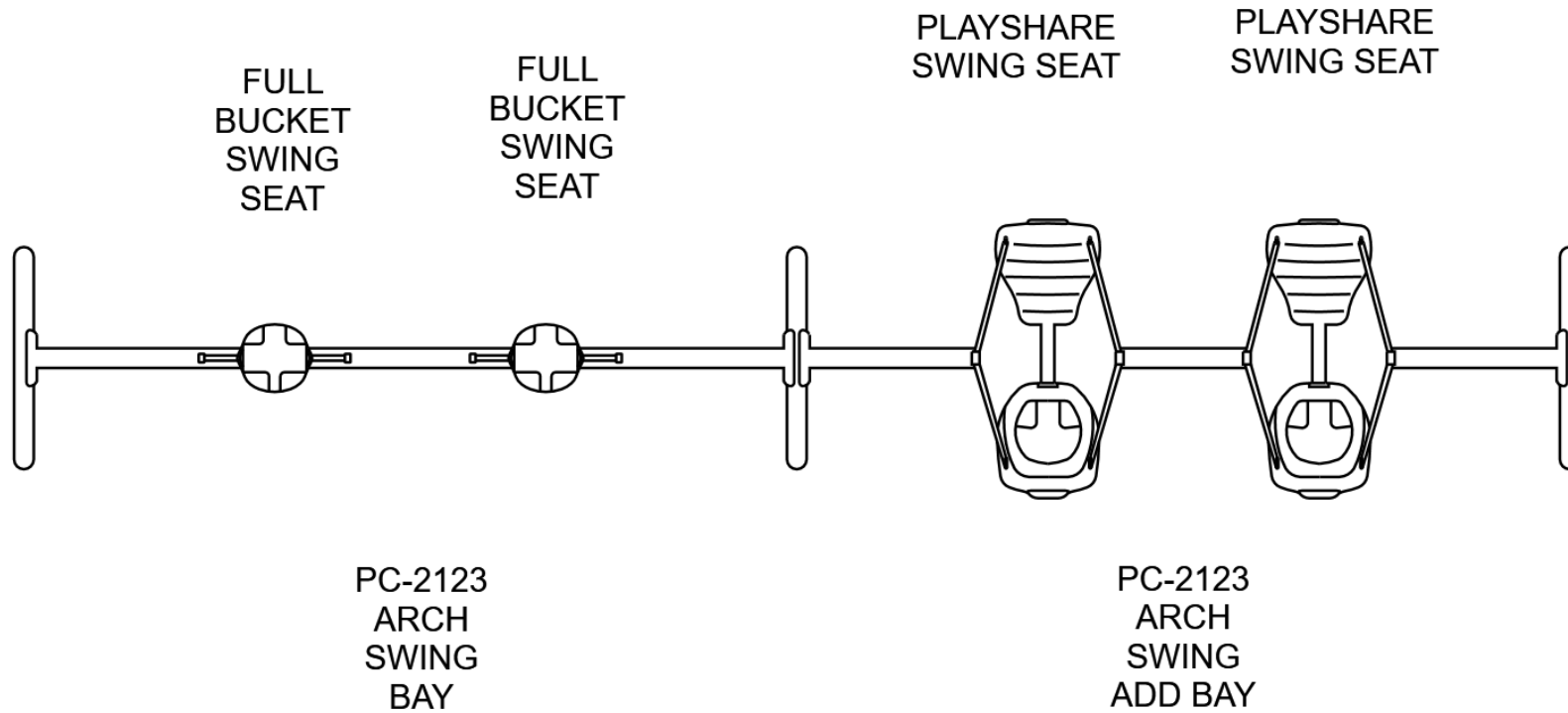
ELEVATED	ACCESSIBLE	RAMP ACCESSIBLE	GROUND	TYPES
0	0/0	0/0	4/0	1/0
CHILD CAPACITY	6	MAX FALL HEIGHT	96	

FOR KIDS
AGES
5-12

GENERAL NOTES

This conceptual plan is based on information provided prior to construction. Detailed site information, including the following, should be obtained, evaluated, and utilized in the final project design. Exact site dimensions, topography, existing utilities, soil conditions and drainage solutions.

WARNING: Accessible safety surfacing material is required beneath and around this equipment that has a critical height value (Fall Height) appropriate for the highest accessible part of this equipment. Refer to the CPSC'S Handbook For Public Playground Safety, Section 4: Surfacing.



STRUCTURE # SWING
PROJECT # 642526_3A
DATE 9/22/2025

The PlayWell Group, Inc.

MIN. USE ZONE 36' x 31' (10.782m x 9.246m)



TOWNEWEST RENOVATION

TOP VIEW

ADA ACCESSIBILITY GUIDELINES - ADAAG CONFORMANCE

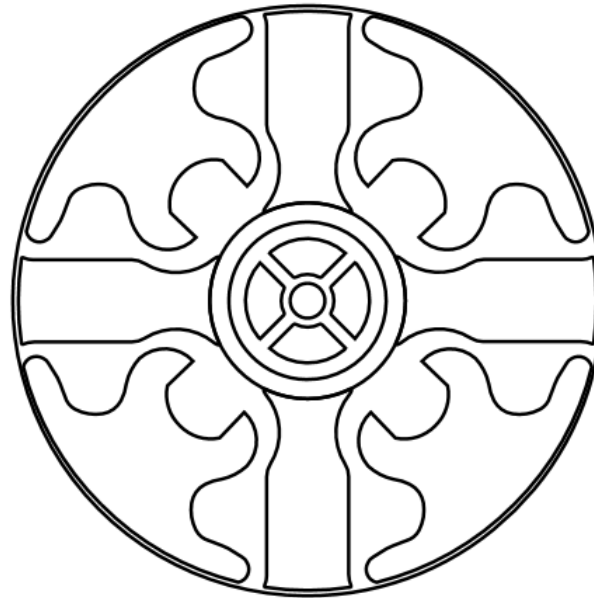
ELEVATED	ACCESSIBLE	RAMP ACCESSIBLE	GROUND	TYPES
0	0/0	0/0	1/0	1/0
CHILD CAPACITY	12	MAX FALL HEIGHT	24	

FOR KIDS
AGES
5-12

GENERAL NOTES

This conceptual plan is based on information provided prior to construction. Detailed site information, including the following, should be obtained, evaluated, and utilized in the final project design. Exact site dimensions, topography, existing utilities, soil conditions and drainage solutions.

WARNING: Accessible safety surfacing material is required beneath and around this equipment that has a critical height value (Fall Height) appropriate for the highest accessible part of this equipment. Refer to the CPSC'S Handbook For Public Playground Safety, Section 4: Surfacing.



INCLUSIVE MERRY-
GO-ROUND

STRUCTURE # PC2496
PROJECT # 642526_3A
DATE 9/22/2025

The PlayWell Group, Inc.

MIN. USE ZONE 25' x 26' (7.62m x 7.621m)



TOWNEWEST RENOVATION

TOP VIEW

ADA ACCESSIBILITY GUIDELINES - ADAAG CONFORMANCE

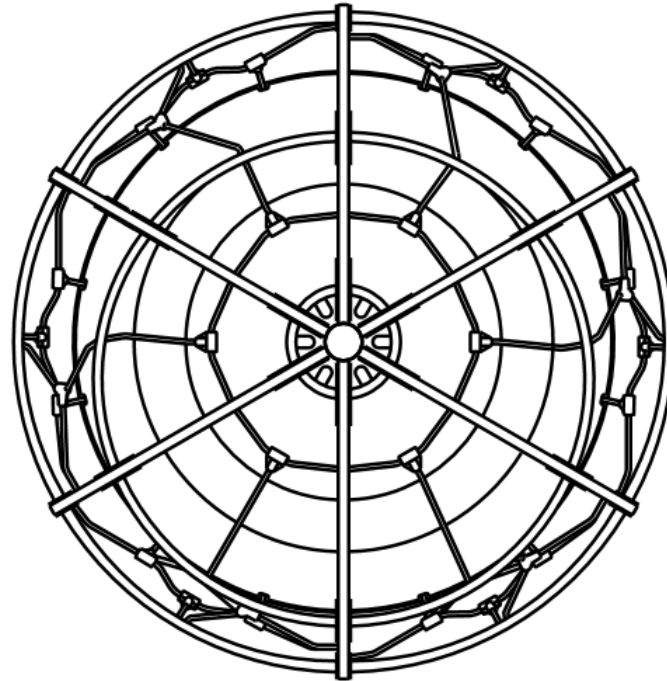
ELEVATED	ACCESSIBLE	RAMP ACCESSIBLE	GROUND	TYPES
0	0/0	0/0	1/0	1/0
CHILD CAPACITY	12	MAX FALL HEIGHT	96	

FOR KIDS
AGES
5-12

GENERAL NOTES

This conceptual plan is based on information provided prior to construction. Detailed site information, including the following, should be obtained, evaluated, and utilized in the final project design. Exact site dimensions, topography, existing utilities, soil conditions and drainage solutions.

WARNING: Accessible safety surfacing material is required beneath and around this equipment that has a critical height value (Fall Height) appropriate for the highest accessible part of this equipment. Refer to the CPSC'S Handbook For Public Playground Safety, Section 4: Surfacing.



PC
2472
SPIN
MAX
ORBIT

STRUCTURE # PC2472
PROJECT # 642526_3A
DATE 9/22/2025

The PlayWell Group, Inc.

MIN. USE ZONE 20' x 21' (6.048m x 6.096m)



TOWNEWEST RENOVATION

TOP VIEW

ADA ACCESSIBILITY GUIDELINES - ADAAG CONFORMANCE

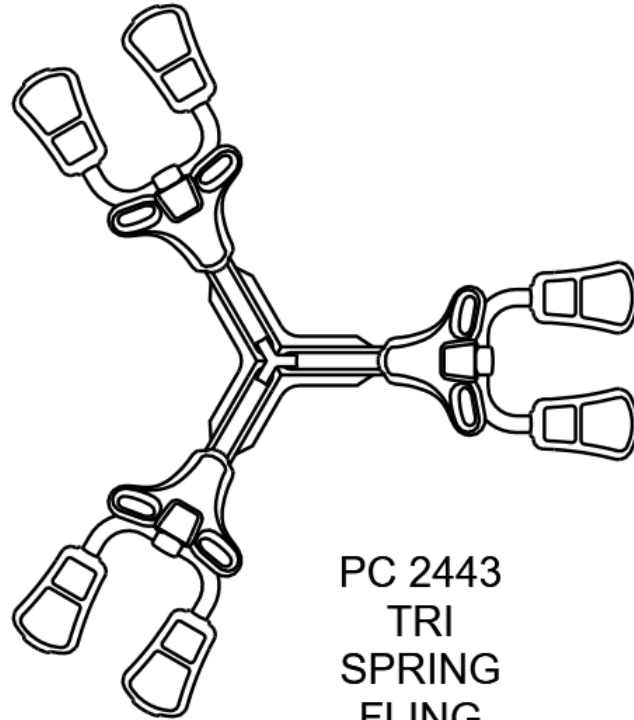
ELEVATED	ACCESSIBLE	RAMP ACCESSIBLE	GROUND	TYPES
0	0/0	0/0	1/0	1/0
CHILD CAPACITY	3	MAX FALL HEIGHT	36	

FOR KIDS
AGES
5-12

GENERAL NOTES

This conceptual plan is based on information provided prior to construction. Detailed site information, including the following, should be obtained, evaluated, and utilized in the final project design. Exact site dimensions, topography, existing utilities, soil conditions and drainage solutions.

WARNING: Accessible safety surfacing material is required beneath and around this equipment that has a critical height value (Fall Height) appropriate for the highest accessible part of this equipment. Refer to the CPSC'S Handbook For Public Playground Safety, Section 4: Surfacing.



PC 2443
TRI
SPRING
FLING

STRUCTURE # PC2443
PROJECT # 642526_3A
DATE 9/22/2025

The PlayWell Group, Inc.

MIN. USE ZONE 22' x 23' (6.536m x 6.839m)



TOWNEWEST RENOVATION

TOP VIEW

ADA ACCESSIBILITY GUIDELINES - ADAAG CONFORMANCE

ELEVATED	ACCESSIBLE	RAMP ACCESSIBLE	GROUND	TYPES
7	7/4	0/0	4/2	3/2
CHILD CAPACITY 82		MAX FALL HEIGHT 60		

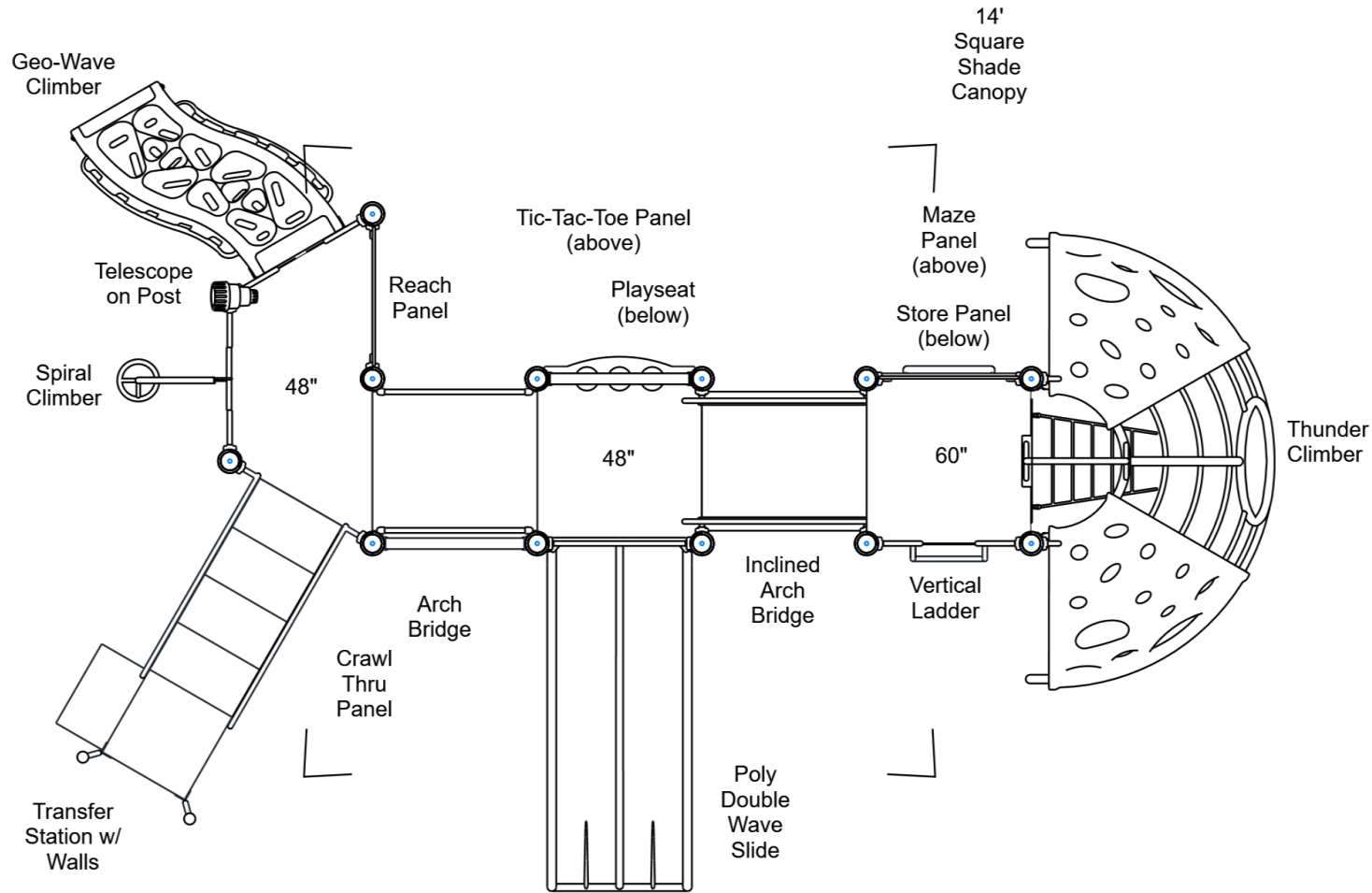
R5

FOR KIDS
AGES
2-5

GENERAL NOTES

This conceptual plan is based on information provided prior to construction. Detailed site information, including the following, should be obtained, evaluated, and utilized in the final project design. Exact site dimensions, topography, existing utilities, soil conditions and drainage solutions.

WARNING: Accessible safety surfacing material is required beneath and around this equipment that has a critical height value (Fall Height) appropriate for the highest accessible part of this equipment. Refer to the CPSC'S Handbook For Public Playground Safety, Section 4: Surfacing.



STRUCTURE # 2_5
PROJECT # 642526_3A
DATE 9/22/2025

The PlayWell Group, Inc.

MIN. USE ZONE 40' x 31' (12.115m x 9.274m)



TOWNEWEST RENOVATION

TOP VIEW

ADA ACCESSIBILITY GUIDELINES - ADAAG CONFORMANCE

ELEVATED	ACCESSIBLE	RAMP ACCESSIBLE	GROUND	TYPES
5	4/3	0/0	5/2	2/2
CHILD CAPACITY 106		MAX FALL HEIGHT 108		

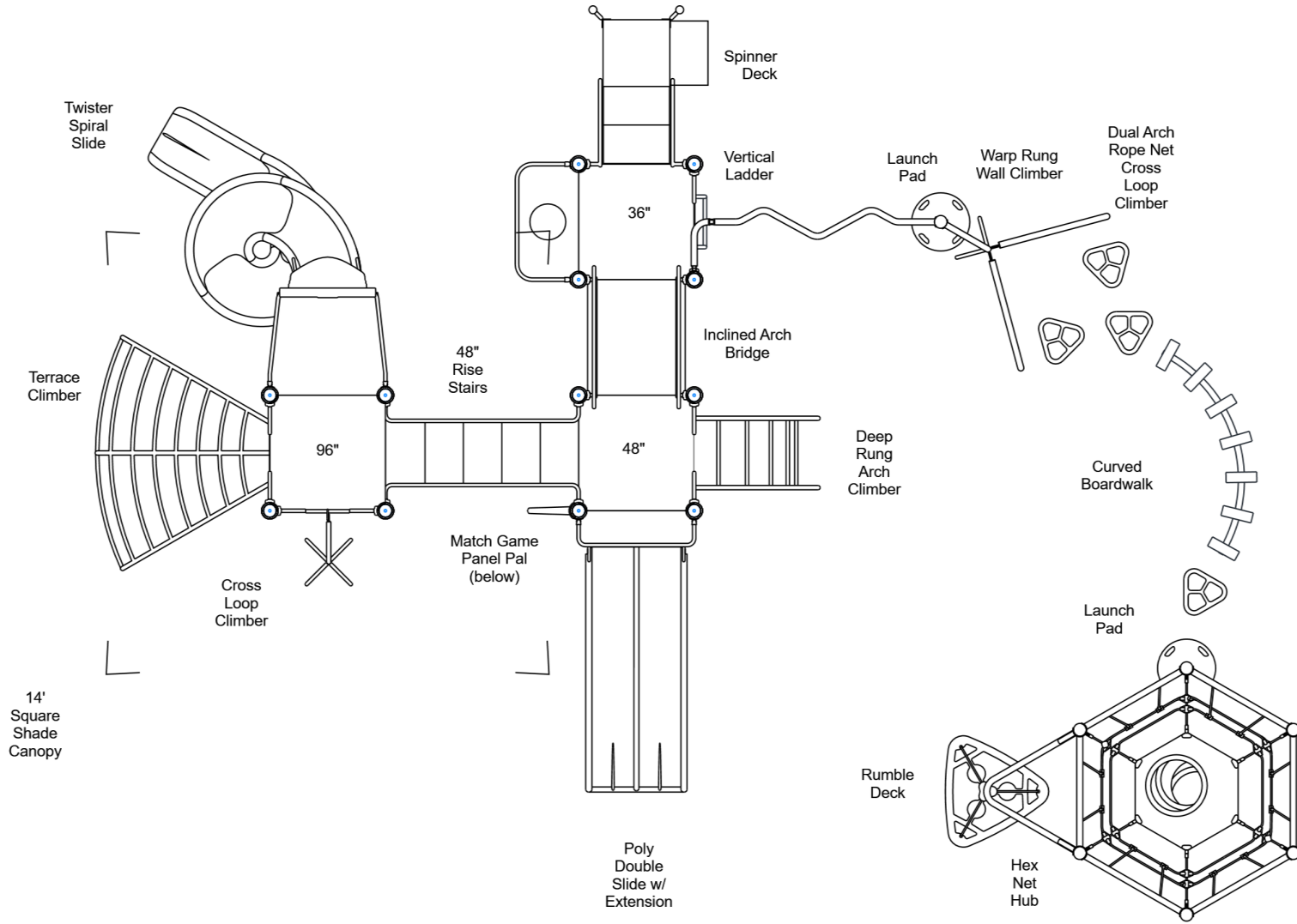
RH5

FOR KIDS
AGES
5-12

GENERAL NOTES

This conceptual plan is based on information provided prior to construction. Detailed site information, including the following, should be obtained, evaluated, and utilized in the final project design. Exact site dimensions, topography, existing utilities, soil conditions and drainage solutions.

WARNING: Accessible safety surfacing material is required beneath and around this equipment that has a critical height value (Fall Height) appropriate for the highest accessible part of this equipment. Refer to the CPSC'S Handbook For Public Playground Safety, Section 4: Surfacing.



STRUCTURE # 5_12
 PROJECT # 642526_3A
 DATE 9/22/2025

The PlayWell Group, Inc.
 MIN. USE ZONE 52' x 42' (15.577m x 12.667m)



TOWNEWEST RENOVATION

SITE PLAN

ADA ACCESSIBILITY GUIDELINES - ADAAG CONFORMANCE

ELEVATED	ACCESSIBLE	RAMP ACCESSIBLE	GROUND	TYPES
12	11/6	0/0	23/4	10/3

Mixed
Types

FOR KIDS
AGES
[Mixed]



GENERAL NOTES

This Preliminary Site Plan is based on measurements that were provided in the initial planning phase. All dimensions must be verified prior to the submission of a purchase order. Playcraft Systems will not be held responsible for any discrepancies between actual dimensions and dimensions submitted in the planning phase.

The Minimum Use Zone for a play structure is based on the product design at the time of proposal. Components and structure designs may be subject to change which may affect dimensions. Therefore, before preparing the site, we strongly recommend obtaining final drawings from the factory (available after the order is placed and included in the Assembly Manual).

WARNING: Accessible safety surfacing material is required beneath and around this equipment that has a critical height value (Fall Height) appropriate for the highest accessible part of this equipment. Refer to the CPSC'S Handbook For Public Playground Safety, Section 4: Surfacing.

PROJECT # 642526_3A
DATE 9/22/2025

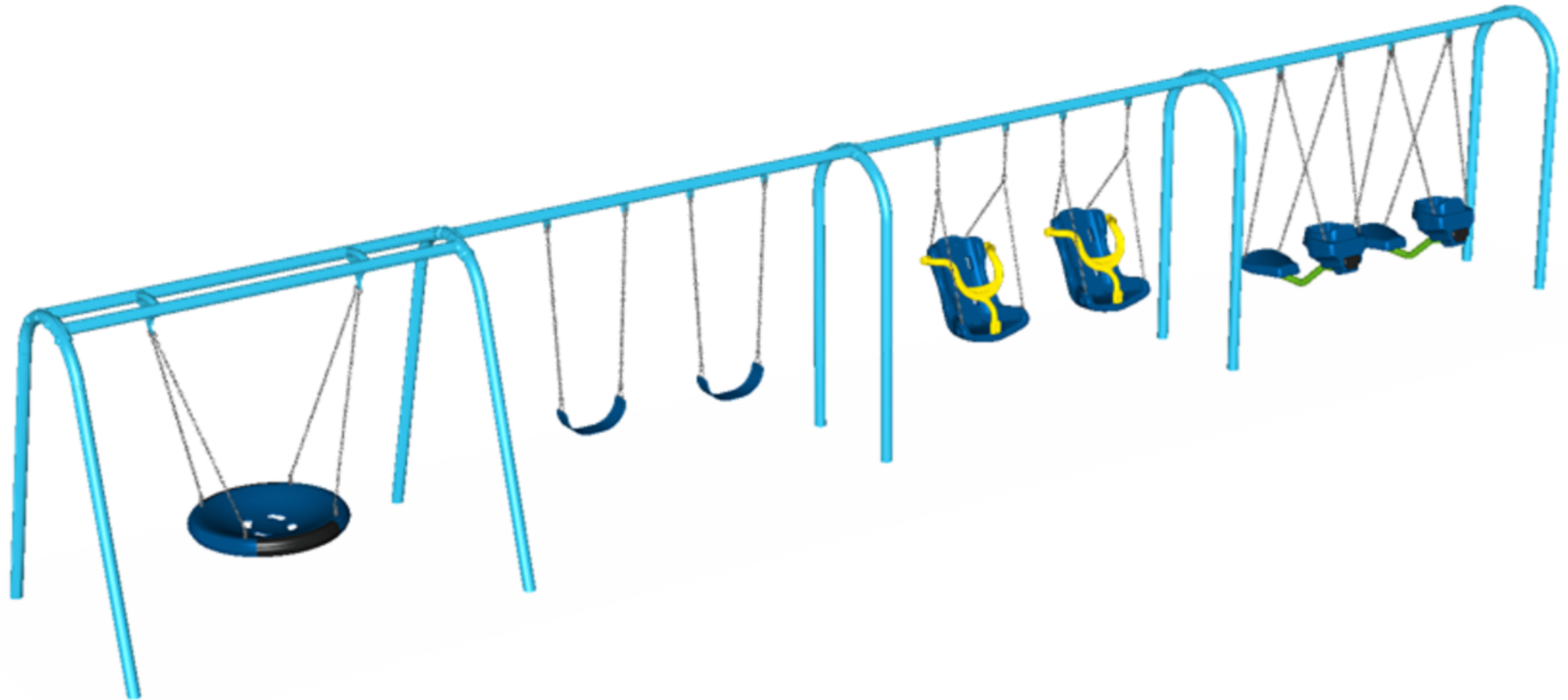
The PlayWell Group, Inc.

MIN. USE ZONE 134' x 167' (40.606m x 50.889m)



TOWNEWEST RENOVATION
SW VIEW

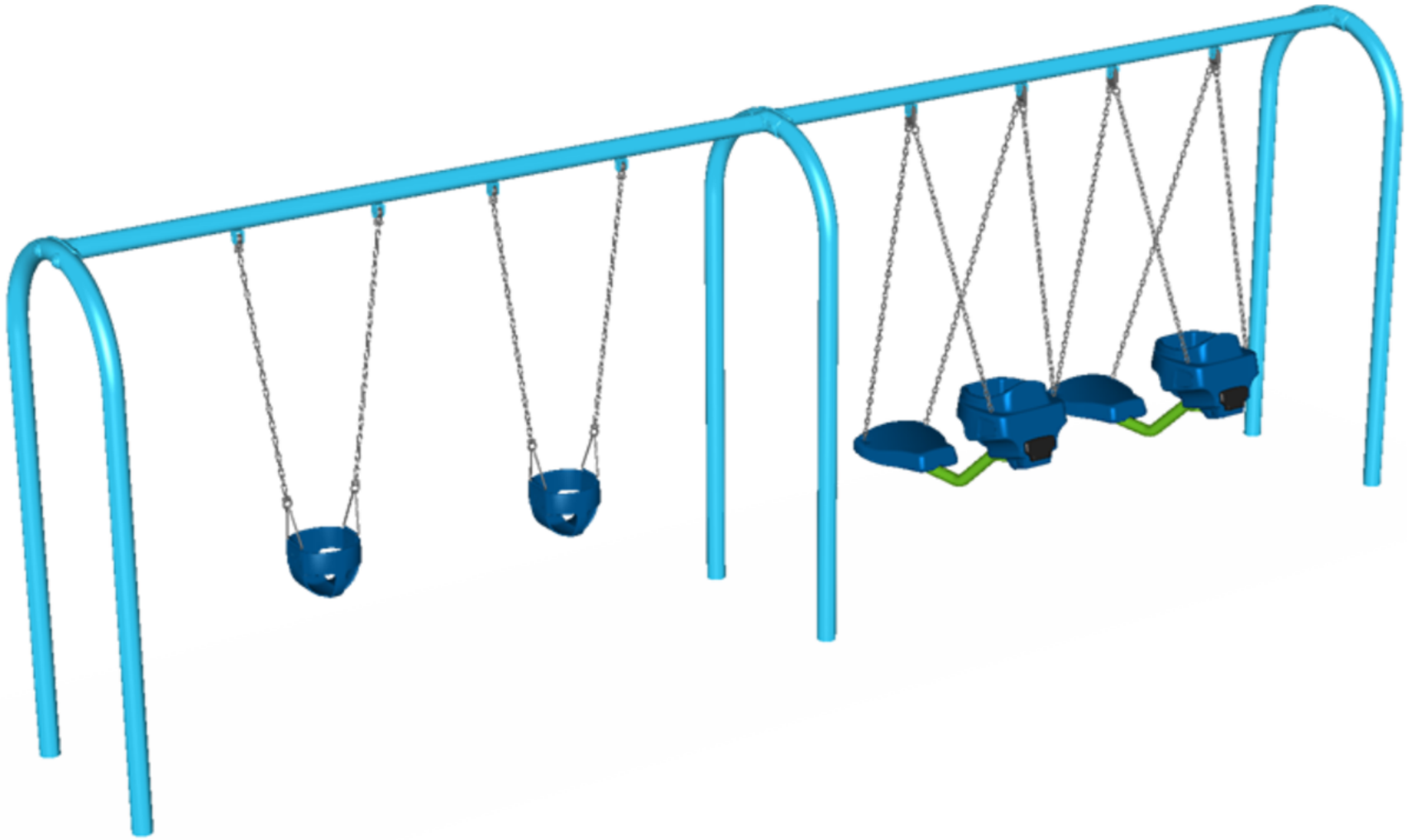
FOR KIDS
AGES
5-12



STRUCTURE # SWINGS
PROJECT # 642526_3A
DATE 9/22/2025

TOWNEWEST RENOVATION
SW VIEW

FOR KIDS
AGES
5-12

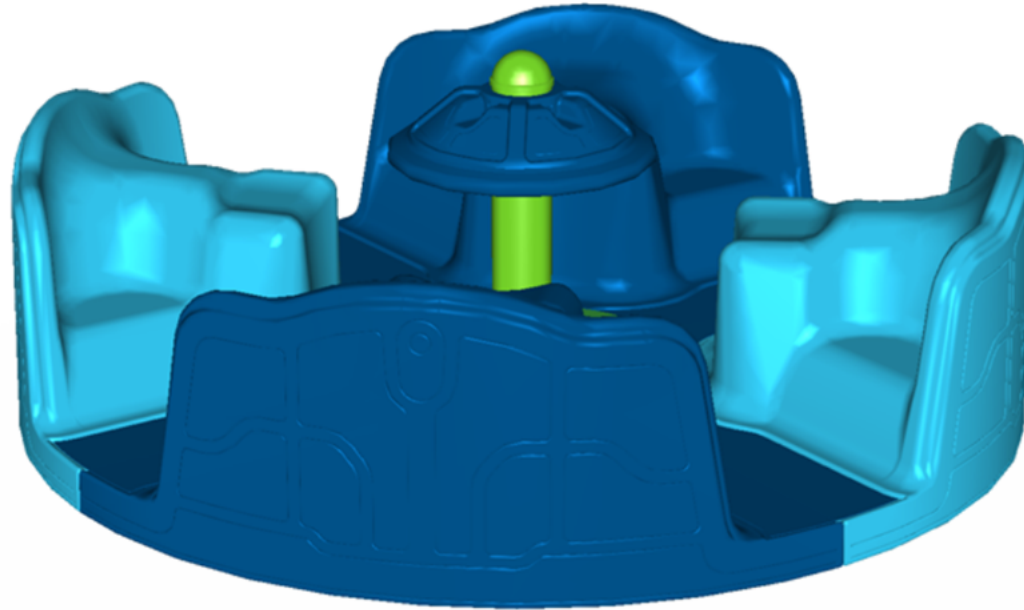


STRUCTURE # SWING
PROJECT # 642526_3A
DATE 9/22/2025



TOWNEWEST RENOVATION
SW VIEW

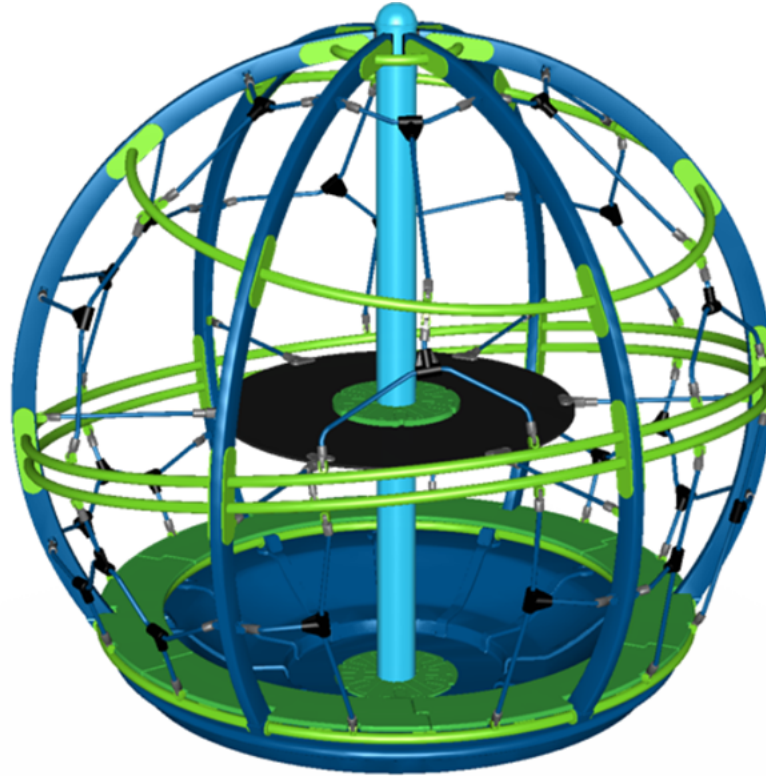
FOR KIDS
AGES
5-12



STRUCTURE # PC2496
PROJECT # 642526_3A
DATE 9/22/2025

TOWNEWEST RENOVATION
SW VIEW

FOR KIDS
AGES
5-12



STRUCTURE # PC2472
PROJECT # 642526_3A
DATE 9/22/2025

TOWNEWEST RENOVATION
SW VIEW

FOR KIDS
AGES
5-12



STRUCTURE # PC2443
PROJECT # 642526_3A
DATE 9/22/2025

TOWNEWEST RENOVATION
SW VIEW

R5

FOR KIDS
AGES
2-5



STRUCTURE # 2_5
PROJECT # 642526_3A
DATE 9/22/2025

TOWNEWEST RENOVATION
NE VIEW

R5

FOR KIDS
AGES
2-5

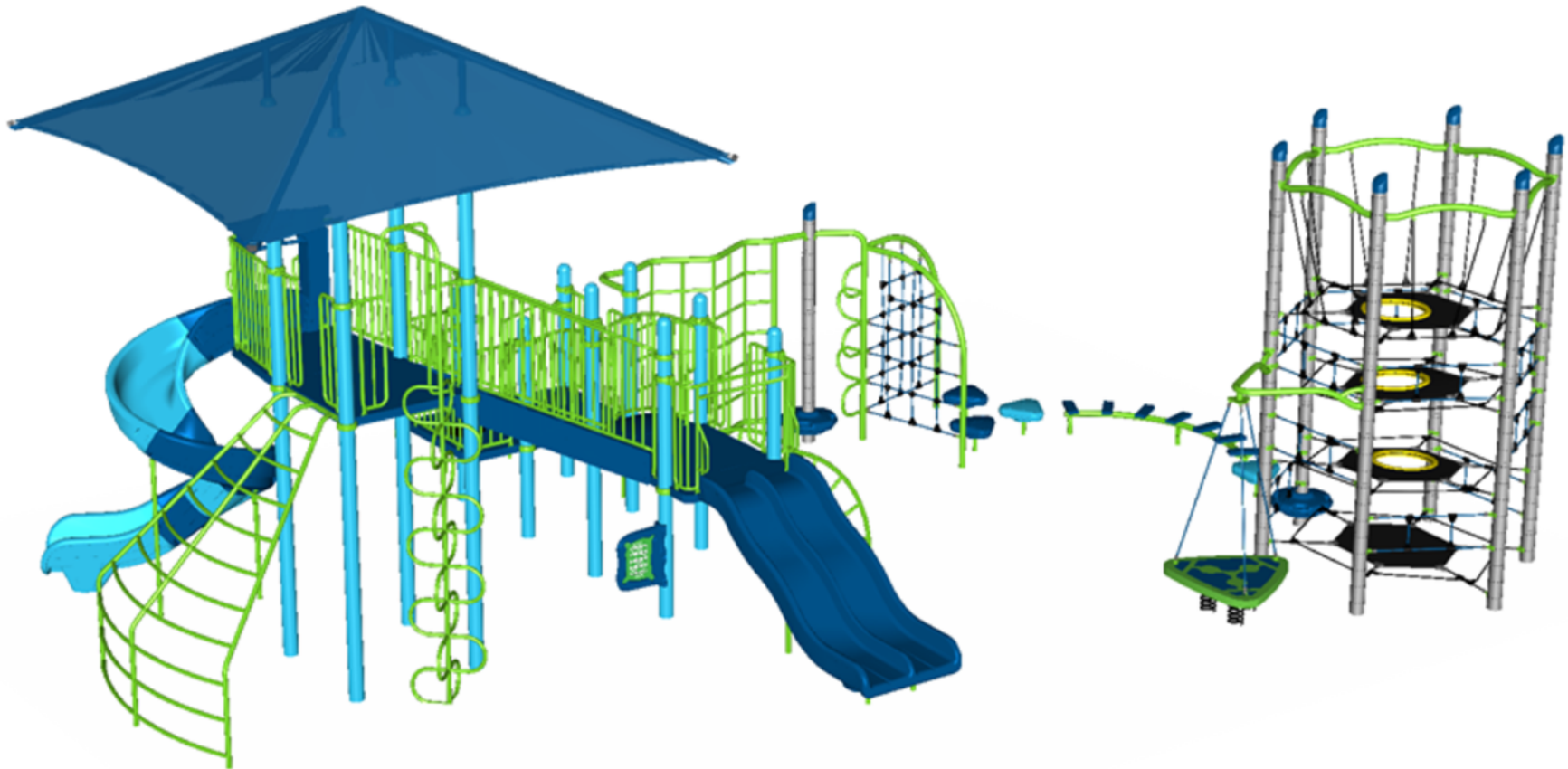


STRUCTURE # 2_5
PROJECT # 642526_3A
DATE 9/22/2025

TOWNEWEST RENOVATION
SW VIEW

RH5

FOR KIDS
AGES
5-12



STRUCTURE # 5_12
PROJECT # 642526_3A
DATE 9/22/2025

TOWNEWEST RENOVATION
NE VIEW

RH5

FOR KIDS
AGES
5-12



STRUCTURE # 5_12
PROJECT # 642526_3A
DATE 9/22/2025

TOWNEWEST RENOVATION

Project # 642526_3A

Date 9/22/2025

Item / Part Number	Description	Qty
[SWINGS]		
A2-131410	Inclusive Seat	2
A2-131510	Playshare Seat	2
A2-2015	PC 2015 Disc Swing	1
A2-2123-AB	PC 2123-8ft Arch Swing Bay (2 Seat) AB	3
A2-313010	Belt Seat	2
[SWING]		
A2-131510	Playshare Seat	2
A2-2123	PC 2123-8ft Arch Swing Bay (2 Seat)	1
A2-2123-AB	PC 2123-8ft Arch Swing Bay (2 Seat) AB	1
A2-311010	Full Bucket Seat	2
[PC2496]		
A2-2496	PC 2496 Inclusive Merry-Go-Round	1
[PC2472]		
A2-2472	PC 2472 Spin Max, Orbit	1
[PC2443]		
A2-2443	PC 2443 Spring Fling, Tri	1
[2_5]		
HS-1004-R	Collars	41
GF-7002	Dome Cap, R5	8
S-1011-R5-11ft	Post, 11ft R5	5
S-1012-R5-12ft	Post, 12ft R5	4
S-1016-R5-16ft	Post, 16ft R5	4
S-1101-R5	Square Deck	2
S-1103-R5	Hex Deck, Half (5 Post)	1
S-1209-36W-R5	Transfer Station, 48in-L (W)	1
S-1210-60	Climber, Vertical Ladder 54-60in	1
S-1223-4R	Climber, Spiral 42-48in	1
S-12401-R5	Climber, Thunder	1
S-1249-DGH	Climber, Inc. Geo-Wave 42-48in (H, DTG, L)	1
S-1305-R5	Double Slide SitDown Wall	1
S-1309-2-R5	Half Walls (Pair) R5	2
S-1310-R5	Transition Wall	1
S-1501-45R5	Bridge, Arch (45in)	1
S-1514-45R5	Bridge, Inclined Arch (45in)	1
S-1600-R5GC	Crawl Thru Panel	1
S-1607-R5	Maze Panel	1

TOWNEWEST RENOVATION

Item / Part Number	Description	Qty
S-1615-R5	Store Panel	1
S-1616-R5	Tic-Tac-Toe Panel	1
S-1655-4R5	Reach Panel, 48in	1
S-1702-4R5	Slide, Wave 48in (Double)	1
S-18021-R514	Shade Canopy, 14ft Square	1
S-1831-R5	Telescope (Post Mounted)	1
S-1962-R5	Playseat	1
5_12		
HS-1004-R	Collars	30
A2-2430	Boardwalk, Curved (90 Degree)	1
GF-7002	Dome Cap, R5	8
S-1010-R5-10ft	Post, 10ft R5	3
S-1011-R5-11ft	Post, 11ft R5	3
S-1012-R5-12ft	Post, 12ft R5	2
S-10132-RV5	Post (132in) RV5	1
S-10192-RV5	Post (192in) RV5	6
S-1019-R5-19ft	Post, 19ft R5	4
S-1101-R5	Square Deck	3
S-1109-LRG-R5-SPN	Spinner Deck	1
S-1206-48R5	ADA Stairs, 48in Rise w/ Walls	1
S-1209-24-R5	Transfer Station, 36in-L	1
S-1210-36	Climber, Vertical Ladder 30-36in	1
S-1219-4	Climber, Deep Rung Arch 42-48in	1
S-1229-8R	Climber, Cross Loop 90-96in	1
S-1240-8	Climber, Terrace 90-96in	1
S-1288-RV	Climber, Dual Arch Rope Net Cross Loop	1
S-1309-2-R5	Half Walls (Pair) R5	3
S-1310-R5	Transition Wall	1
S-1514-45R5	Bridge, Inclined Arch (45in)	1
S-1668-R5	Panel Pal, Match Game	1
S-1702-1122-4	Slide, Wave 48in (Double, w/ Extn)	1
S-1706-S8L-R5	Slide, Twister Spiral 96in (L)	1
S-18021-R514	Shade Canopy, 14ft Square	1
S-1925-RV	Hex Net Hub	1
S-1961-RV	Tri Pad	4
S-1968-1RV	Climber, Warp Rung Wall (1HSE)	1
S-1971-RV	Rumble Deck	1
S-21004-RTRH5	Connector (Right Turn)	1
S-21263-RV	Launch Pad RV	2